

Description

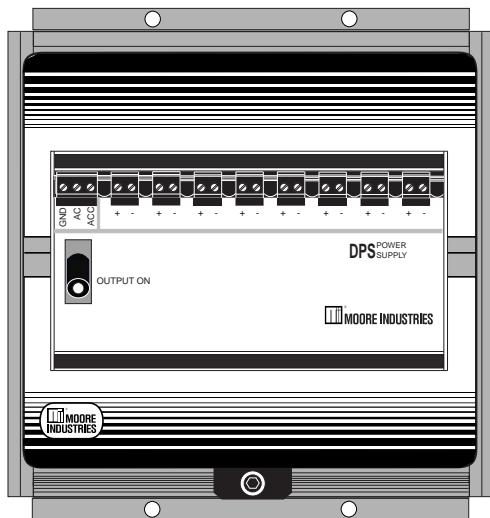
Moore Industries' DPS series of DIN power supplies provide a 24Vdc (or 42Vdc for 240 mA) output voltage at either 240mA or 1200mA output current. Ideal for powering 2-wire transmitters and data communication modules, the DPS 240 can be used to power a maximum of twelve 4-20mA loops, while the DPS 1200 can power a maximum of sixty 4-20mA loops.

DPS power supplies are designed with continuous short circuit and short term (i.e., <15 sec.) overload protection. Offering input/output isolation, convection cooling, and a derated circuit design, the DPS 1200mA units automatically compensate for extremely wide input voltage variations while maintaining a constant output voltage.

Each DPS unit is enclosed in a DIN housing and is ideally suited for high density installations. Any number of the DPS power supplies, along with any other type of DIN-housed instruments, can be snapped on a rail, and the rail can be mounted anywhere—on a wall, in a rack, or in a field-mount enclosure, such as the Moore Industries' R-BOX.

Designed to meet NEMA 4X and IP66 ratings, the R-BOX is resistant to ultraviolet rays and chemicals. Its high impact structure protects your DPS and other instruments even in harsh field conditions. With a variety of sizes to choose from, we can provide an R-BOX to protect most any process instrument.

Figure 1. Available in a variety of widths, Moore Industries' R-BOX is designed to protect your DIN-rail units in even the most rugged environments.



Moore Industries' DPS Series of DIN rail-mounted power supplies are typically used for powering process signal transmitters and data communications modules.

Features

- **Isolated output voltage.** Each DPS unit provides complete isolation between the input and output terminals and the unit case, thereby assuring that power supply fluctuation from line power will not affect instrument accuracy.
- **Compact/efficient design.** Compact, DIN-style housing, designed especially for industrial environments, allows any number of instruments to be mounted on a single rail. Depending on the output capabilities selected, a single DPS power supply can power up to 12 (DPS 240) or 60 (DPS 1200) process loops.
- **Many different uses.** Although primarily used with loop-powered transmitters, the DPS power supply is also ideally suited for use with data communication modules, such as Moore Industries' CCS® Cable Concentrator System®.

Certifications (DPS 1200)



CSA, General Locations

Specifications

Front Panel Adjustments Voltage Adjust Control: Adjustable multiturn potentiometer (240mA) Voltage On Indicator: Red LED turns off for 240mA or 1200mA on fault condition (i.e., short circuit, overload, etc.) +T/-T: Input and output signal terminals for connecting calibration test equipment (i.e., voltmeter, multimeter, etc.) (240mA only)	Performance (continued) low line to high line; 1200mA: 1%, maximum, low line to high line Load: 240mA: 1% maximum, no load to full load; 1200mA 1% maximum ($\pm 40\%$ change from 60% of rated load) Ripple: 240mA: 50mV, peak-to-peak, maximum 1200mA: 100mV, maximum (100kHz); 200mV, maximum (10mHz) Hold-up Time: 1200mA: 20ms, minimum	Ambient Temperature (continued) 1200mA: 0°C to +50°C (+32°F to +122°F) Effect: 240mA: $\pm 0.03\%$ per °C, maximum 1200mA: $\pm 0.05\%$ per °C maximum
	Efficiency: 70% typical, rated at full-load. Output regulation: 240mA: 0.5%, maximum,	Ambient Temperature Range: 240mA: 0°C to +70°C (+32°F to +158°F)
		Weight 240mA: 2.0lbs (908grams) 1200mA: 2.5lbs (1.14kg)

Ordering Information

Unit	Output Voltage	Output Current	Power	Options	Housing
DPS	Model 240mA: 24DC or 42DC Model 1200mA: 24DC (adjustable $\pm 10\%$ internal to unit)	240MA 1200MA maximum at 50°C	117AC 220AC 240AC 90-260AC*	-RTB (240mA only) Provides quick disconnect terminal blocks to facilitate wiring changes; no tools needed to remove wiring (standard on DPS1200)	DIN DIN-style rail-mount housing

To order, specify: Unit / Output Voltage / Output Current / Power / Options [Housing]
 Model Number Example: DPS / 24DC / 1200MA / 117AC [DIN]

* DPS 1200 only

Figure 2. DPS 240 Mounting Dimensions

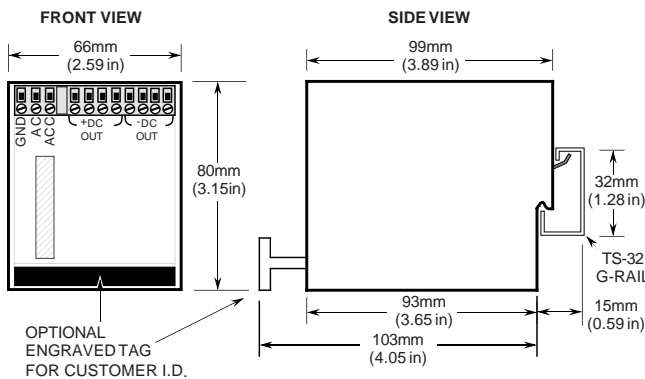
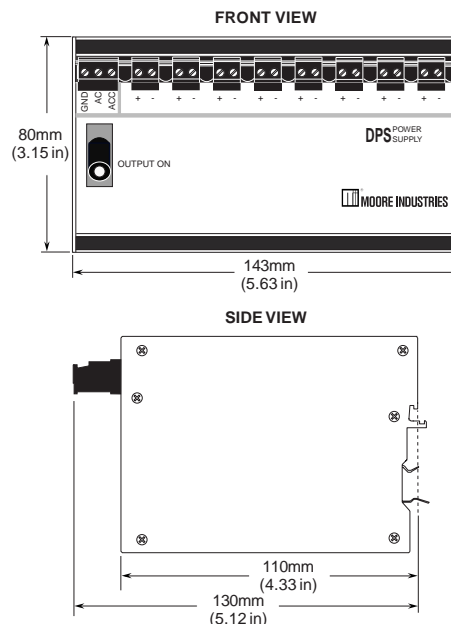


Figure 3. DPS 1200 Mounting Dimensions



The Interface Solution Experts • www.miinet.com

United States • info@miinet.com
 Tel: (818) 894-7111 • FAX: (818) 891-2816
 Australia • sales@mooreind.com.au
 Tel: (02) 8536-7200 • FAX: (02) 9525-7296

Belgium • info@mooreind.be
 Tel: 03/448.10.18 • FAX: 03/440.17.97
 The Netherlands • sales@mooreind.demon.nl
 Tel: (0)344-617971 • FAX: (0)344-615920

China • sales@mooreind.com.cn
 Tel: 86-21-68406724 • FAX: 86-21-50623585
 United Kingdom • sales@mooreind.com
 Tel: 01293 514488 • FAX: 01293 536852